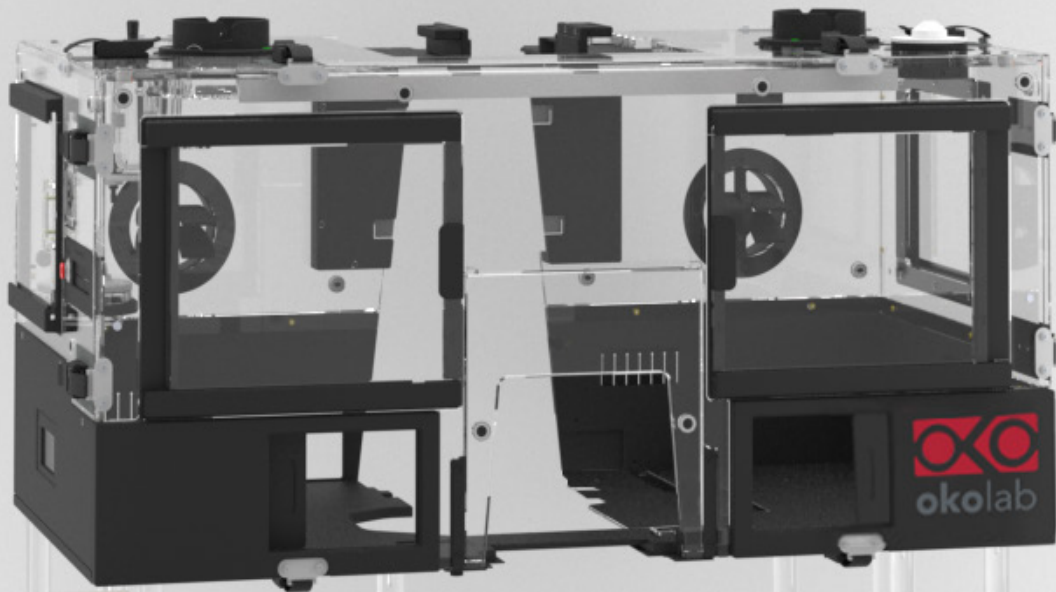


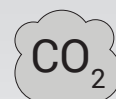


# BOLD LINE CAGE INCUBATOR

Large volume incubator with local CO<sub>2</sub>/O<sub>2</sub> climate chamber



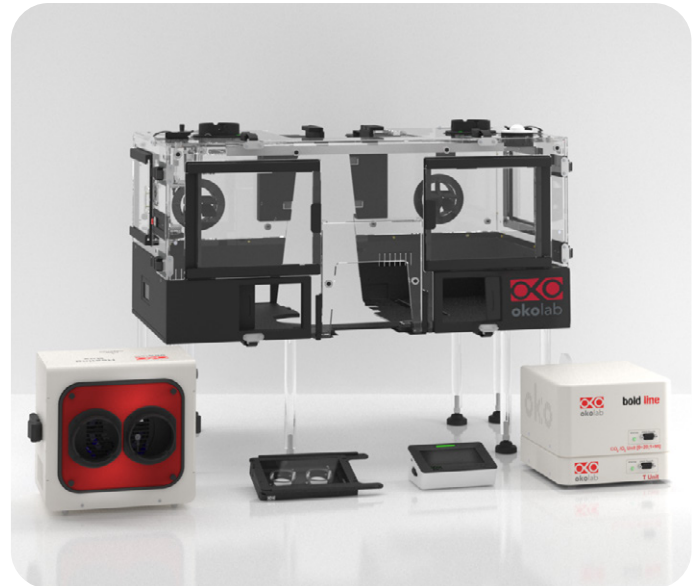
[www.oko-lab.com](http://www.oko-lab.com)



## Bold Line Cage Incubator consist of:

- Microscope enclosure
- Obscuring panels (*optional*)
- Temperature controller (includes air heater)
- Filtering box (*optional*)
- Stage top gas chamber
- Gas controller (CO<sub>2</sub> or dual CO<sub>2</sub>/O<sub>2</sub>)
- Humidity module
- Touch screen interface
- Smart box (*optional*)

The Bold Line Cage Incubator controls temperature in the entire enclosure, by receiving feedback from sample temperature. Gas composition and humidity are controlled inside the stage top gas chamber.



## MICROSCOPE ENCLOSURE

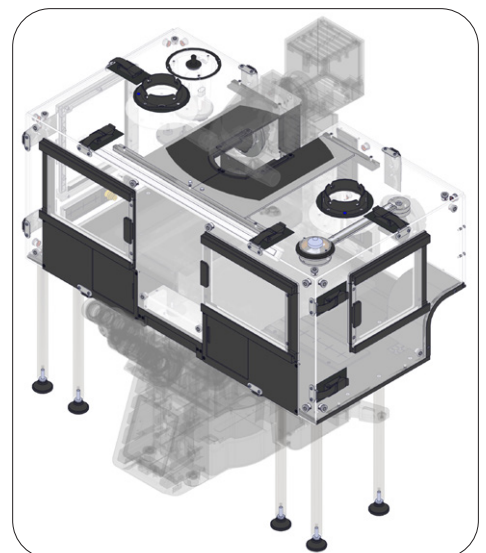
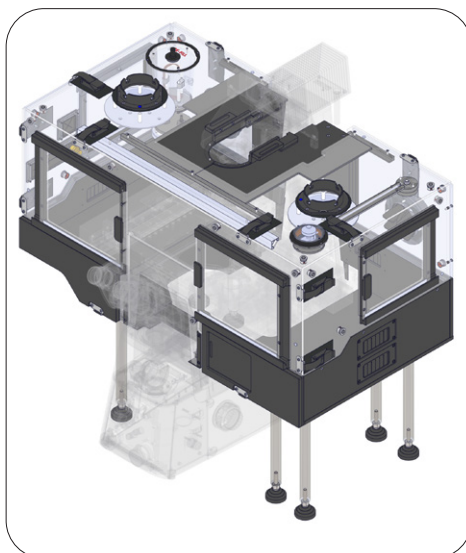
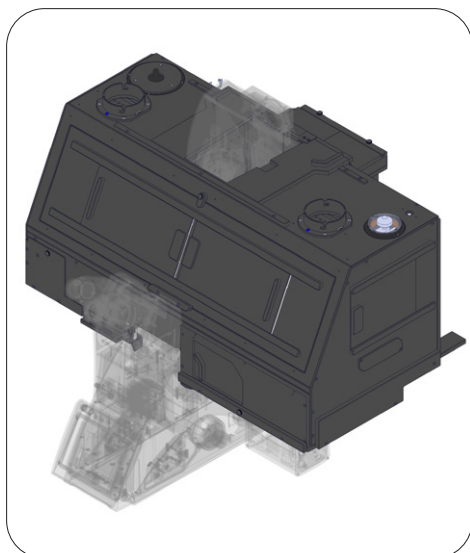
The enclosure is designed to allow maximum accessibility to the microscope. Sliding doors on the front and side panels allow full and easy access to the microscope. **Turn-to-open hinges** allow easy and fast removal of both the front and side panels. This allows free access to any part of the microscope. When needed, the cage incubator can be reinstalled on the microscope in few seconds.

**Obscuring panels** can be added to the transparent enclosure to create a dark environment for fluorescence imaging.

New models available: lasersafe enclosure and natively-black enclosure for light sensitive applications.

An **LED light (RED and WHITE)** allows the user to view inside the enclosure through transparent windows without affecting the temperature of the enclosure.

***Inquiries for customized solutions are welcome.***





## TEMPERATURE CONTROLLER

H201-T-UNIT-BL consists of a temperature controller and an air heater. Feedback to the controller can be provided by sample temperature or by air temperature inside the enclosure.

Compatible with digital gas controllers, manual gas mixers, and premixed gas supply.

The air heater is equipped with a temperature and a flow rate sensor in order to obtain a stable energy input inside the enclosure.



## GAS CONTROLLERS

The Bold Line Cage Incubator can be equipped with Bold Line gas controllers and with the Active Humidity controller.

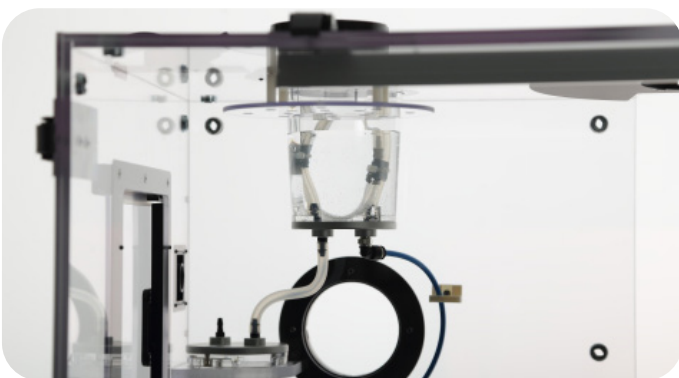
Bold Line gas controllers feature:

- 0.1% accuracy and repeatability
- Digital CO<sub>2</sub> and O<sub>2</sub> sensors
- Operated via OKO-TOUCH
- Compatible with Smart Box

### Technical specifications:

	CO <sub>2</sub>		O <sub>2</sub>		Output Flow Rate l/min
	Range, %	Accuracy, ±%	Range, %	Accuracy, ±%	
CO <sub>2</sub> -UNIT-BL	0-18	0.1	-	-	0.1 - 0.8 (0.4 with OKO-AIR-PUMP-BL)
CO <sub>2</sub> -O <sub>2</sub> -UNIT-BL [0-10;1-18]	0-10	0.1	1-18	0.1	0.2 - 0.8 (0.4 with OKO-AIR-PUMP-BL)
CO <sub>2</sub> -O <sub>2</sub> -UNIT-BL [0-20;1-95]	0-20	0.2 at 5% CO <sub>2</sub> *	1-95	0.3 at 5% O <sub>2</sub> *	*

\*Depends on the required gas concentrations. Please refer to [www.oko-lab.com](http://www.oko-lab.com) for detailed specifications.



## HUMIDITY MODULE

HM-VF employs a water semi-permeable membrane to humidify gas.

Humidification capacity at 37°C: gas reaches the relative humidity of 85% ca.

## TOUCH SCREEN INTERFACE

OKO-TOUCH is an user friendly 4.3" touch screen interface required to operate Bold Line controllers.

One OKO-TOUCH can control multiple Bold Line controllers.





**OKOLAB SRL**

Via A. Olivetti, 1  
80078 Pozzuoli, NA, Italy

Luca Lanzaro, Ph.D  
☎ +39 081 8062624  
✉ lanzaro@oko-lab.com

**OKOLAB USA INC.**

417 Thorn St., Suite 309,  
Sewickley - PA 15143, USA

Lara Petrak  
☎ +1 (650) 410 0756  
✉ petrak@oko-lab.com

**OKOLAB SHANGHAI Co., LTD.**

Room 101, Building 46, 200  
Yueyang Road, Xuhui District,  
Shanghai, 200031, China

Pony Tong  
☎ +86 18500508458  
✉ tong@oko-lab.cn